

# Industrial Ball Valves - Genebre 2528A

## Genebre SS 2pc Flanged ANSI 150 Ball Valve

**ALLVALVES**  
O N L I N E

### Main Features :-

EU Brand

ANSI 150RF Flanged

RPTFE seats and FKM seals

Blow out proof stem

Direct Mount ISO 5211

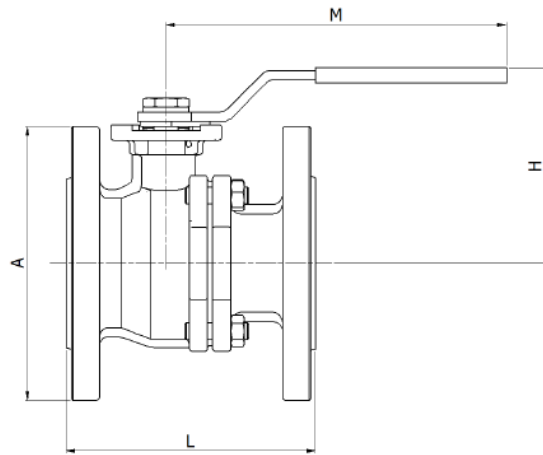
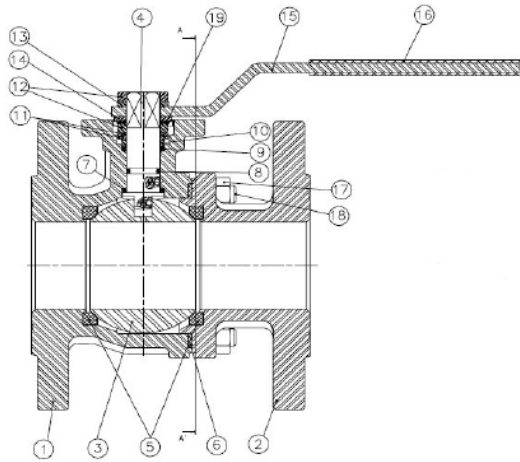
Full Bore

-20C to + 180C Temp Rating



**GENEBRE**  
be water, be Genebre

TYPE: GENEBRE 2528A



Nº	Denominación / Name	Material	Acabado Superficial / Surface Treatment	Ref.
1	Cuerpo / Body	Acero Inox. CF8M / SS CF8M (AISI 316)	Granallado / Shot blasting	-----
2	Tapa / Cap	Acero Inox. CF8M / SS CF8M (AISI 316)	Granallado / Shot blasting	-----
3*	Bola / Ball	Acero Inox AISI 316 / SS 316	-----	2907
4*	Eje / Stem	Acero Inox AISI 316 / SS 316	-----	2908
5*	Asiento / Ball seat	PTFE + 15% FV / GF	-----	2909

ISO 9001:2015 Accredited Company

Tel: +44(0)1386 552369

Fax: +44(0)1386 554227

sales@allvalves.co.uk

www.allvalves.co.uk

Allvalves Online Ltd, Automation House, Unit 2, Pershore, WR10 2DF UK

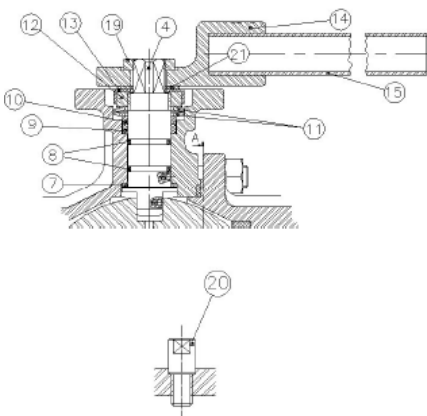
### Dimensional Drawings and Additional Technical Specifications:-

TYPE: GENEBRE 2528A

Nº	Denominación / Name	Material	Acabado Superficial / Surface Treatment	Ref.
6*	Junta / Gasket	PTFE + Grafito o AISI 304 + Grafito <i>PTFE + Graphite or SS304 + Graphite</i>	-----	2909
7*	Arandela / Trust Washer	Teflón + Grafito / <i>PTFE + Graphite</i>	-----	2909
8*	Tórica / O'ring	FKM ( Viton)	-----	2909
9*	A. Prensa / Stem packing	Teflón / <i>PTFE</i>	-----	2909
10	Anillo Prensa / Stem Ring	Acero Inox AISI 304 / <i>SS 304</i>	-----	-----
11	Arandela / Spring Washer	Acero Inox AISI 301 / <i>SS 301</i>	-----	-----
12	Tuerca / Nut	Acero Inox AISI 304 / <i>SS 304</i>	-----	-----
13	Arandela / Washer	Acero Inox AISI 304 / <i>SS 304</i>	-----	-----
14	Tope / Stopper	Acero Inox AISI 304 / <i>SS 304</i>	-----	-----
15	Maneta / Handle	Acero Inox AISI 304 / <i>SS 304</i>	-----	-----
16	Funda / Handle Sleeve	Plastico / <i>Vynil</i>	-----	-----
17	Tuerca / Nut	Acero Inox AISI 304 / <i>SS 304</i>	-----	-----
18	Perno / Stud Bolt	A193 – B 8	-----	-----
19	Antigiros / Lock Washer	Acero Inox AISI 304 / <i>SS 304</i>	-----	-----

\* Piezas que componen los Kit de Reparación / Repair Kit parts

**Únicamente en medidas de 2 ½” a 6” / For 2 ½” – 6” Sizes Only**



Nº	Denominación / Name	Material	Acabado Superficial / Surface Treatment
14	Cuerpo maneta / Body Handle	AISI 304	Decapado / Shot Blasting
19	Tuerca / Nut	AISI 304	-----
20	Perno tope / Stopper	AISI 304	-----
21	Antigiros / Lock Washer	AISI 304	-----

ISO 9001:2015 Accredited Company

Tel: +44(0)1386 552369

Fax: +44(0)1386 554227

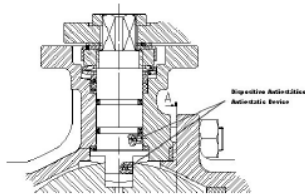
sales@allvalves.co.uk

www.allvalves.co.uk

Allvalves Online Ltd, Automation House, Unit 2, Pershore, WR10 2DF UK

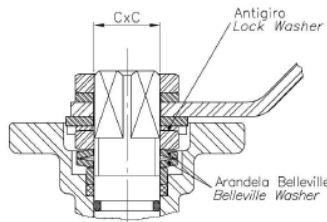
### Dimensional Drawings and Additional Technical Specifications:-

#### Dispositivo antiestático / Anti-static device



Este dispositivo nos garantiza la continuidad eléctrica entre esfera - eje - cuerpo, esto es de especial necesidad en fluidos inflamables. / *This device guarantees the electric continuity between Ball - Stem - Body, this is of special need with flammable fluids.*

#### Detalle de la zona de Eje / Stem detail



Antigiro / *Lock Washer*: Previene el desajuste de la tuerca del eje en elevados ciclos de maniobra / *Prevents unthreading of stem nut in high cycle automation applications.*

Arandela Belleville / *Belleville Washer*: Las arandelas belleville proporcionan una carga constante sobre el prensa asegurando un cierre firme en variaciones de condiciones de trabajo. / *Standard belleville washers provide constant "live load" on the stem seals, assuring a tight seal even varying service parameters.*

### DIMENSIONES GENERALES / GENERAL DIMENSIONS

Ref.	Medida / Size	CLASE / CLASS	Dimensiones / Dimensions (mm)					ISO 5211	Peso / Weight (Kg)
			A	H	L	M	C x C		
2528A 04	1/2"	150	89	85	108	170	9 x 9	F04	1,500
2528A 05	3/4"	150	98,6	85	117	170	9 x 9	F04/F05	2,150
2528A 06	1"	150	108	95	127	170	11 x 11	F04/F05	2,870
2528A 07	1 1/4"	150	117	106	140	200	14 x 14	F05/F07	3,950
2528A 08	1 1/2"	150	127	110	165	200	14 x 14	F05/F07	5,800
2528A 09	2"	150	152,5	118	178	200	14 x 14	F05/F07	8,400
2528A 10	2 1/2"	150	177,8	170	190	380	17 x 17	F07/F10	13,500
2528A 11	3"	150	190,5	170	203	380	17 x 17	F07/F10	17,800
2528A 12	4"	150	228,6	170	229	380	17 x 17	F07/F10	30,500
2528A 14	6"	150	279,4	228	394	620	27 x 27	F10/F12	56,000
2528A 16	8"	150	342,9	***	457	***	27 x 27	F12	135,000

\*\*\* 8" con reductor manual / 8" with gear operator

ISO 9001:2015 Accredited Company

Tel: +44(0)1386 552369

Fax: +44(0)1386 554227

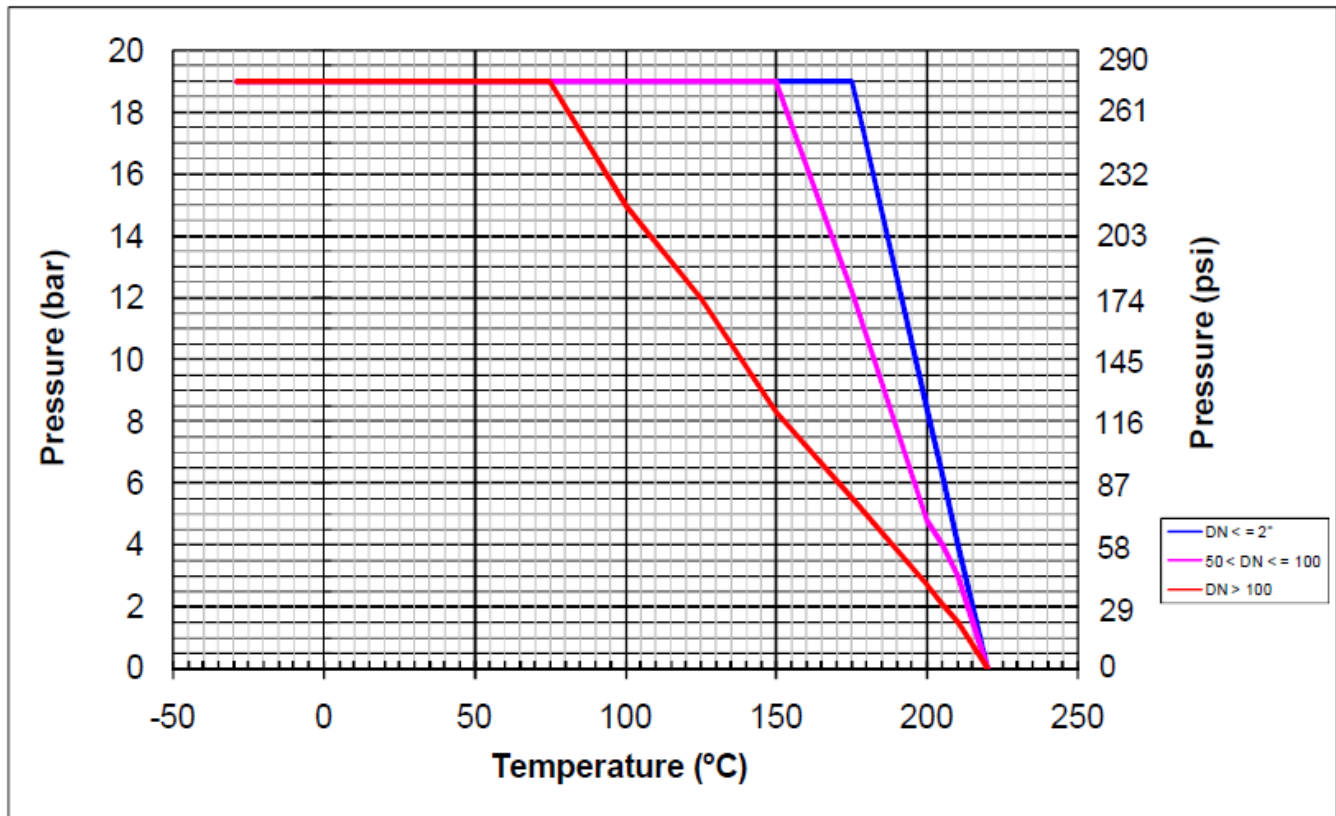
sales@allvalves.co.uk

www.allvalves.co.uk

Allvalves Online Ltd, Automation House, Unit 2, Pershore, WR10 2DF UK

### Dimensional Drawings and Additional Technical Specifications:-

**CURVA PRESIÓN TEMPERATURA / PRESSURE TEMPERATURE RATING**



**VALORES DE Kv / Kv VALUES**

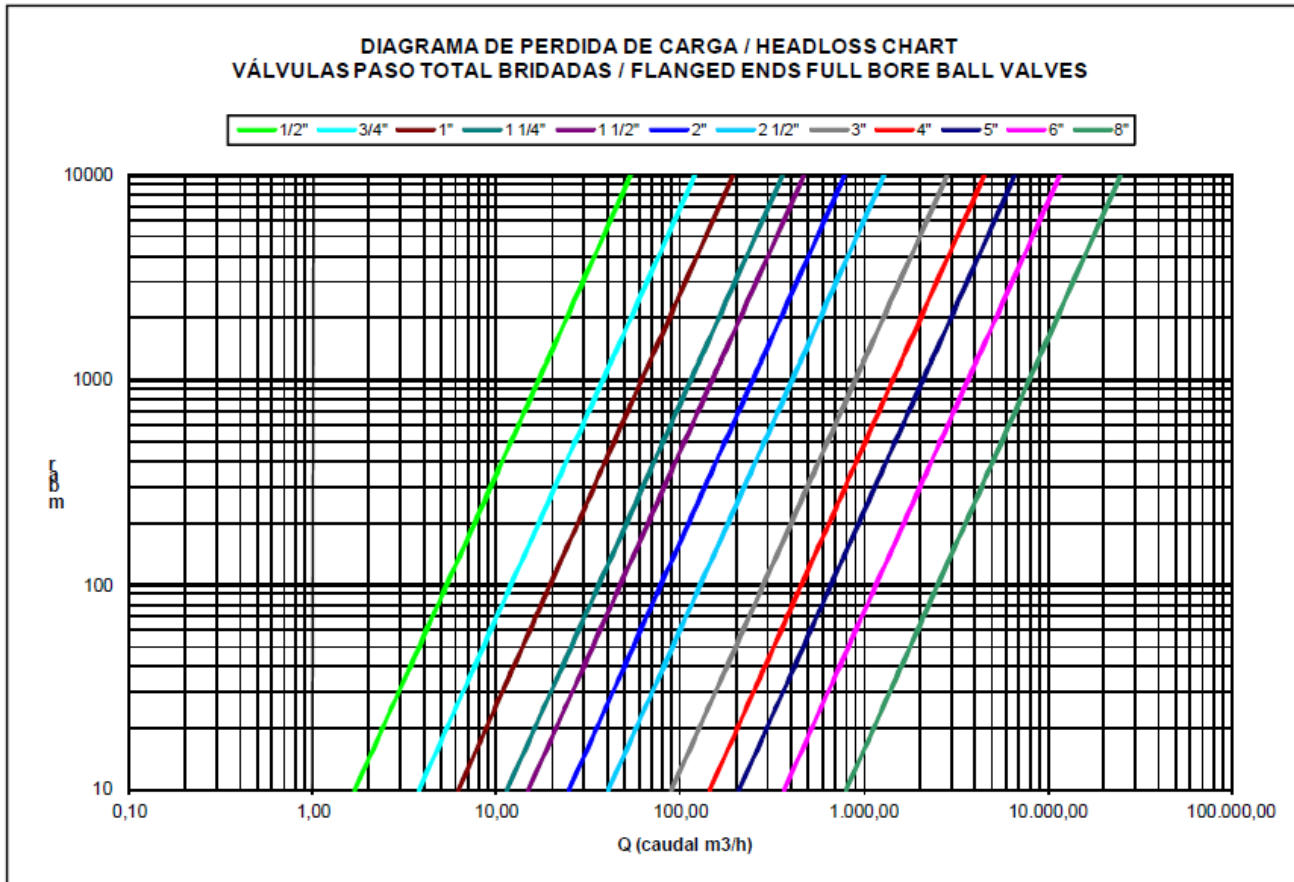
$K_v (m^3/h)$  = Es la cantidad de metros cúbicos por hora que pasará a través de la válvula generando una pérdida de carga de 1 bar.

$K_v (m^3/h)$  = Flow rate of water in cubic meter per hour that will generate a pressure drop of 1 bar across the valve.

1/2"	3/4"	1"	1 1/4"	1 1/2"	2"	2 1/2"	3"	4"	6"	8"
17	38	62	115	150	250	410	900	1450	3700	8000

### Dimensional Drawings and Additional Technical Specifications:-

TYPE: GENEBRE 2528A



ISO 9001:2015 Accredited Company

Tel: +44(0)1386 552369

Fax: +44(0)1386 554227

[sales@allvalves.co.uk](mailto:sales@allvalves.co.uk)

[www.allvalves.co.uk](http://www.allvalves.co.uk)

Allvalves Online Ltd, Automation House, Unit 2, Pershore, WR10 2DF UK